

atom
emSERIES

with

DuoSink[®] &
PulseWave[®]
patented technologies



EMP - Pond Light

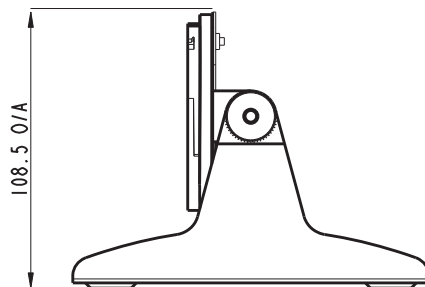
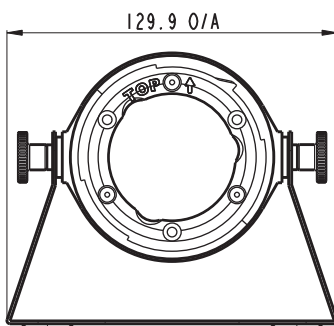
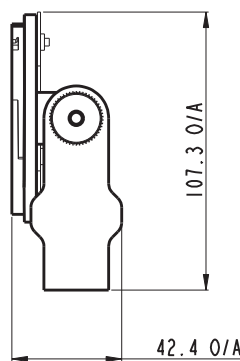
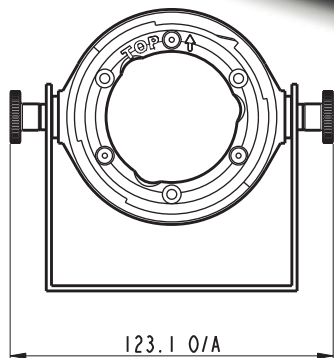
ULTRA COMPACT PERFORMANCE POND LIGHT

Spa Electrics' range of ultra-compact, high performance LED lights are now available as Pond & Feature Lights!

Designed and manufactured in Australia, our designers and engineers have utilised over 35 years of experience in underwater lighting to develop this state of the art Pond & Feature Light.

So why are ATOM-EM lights the most advanced, high performance and energy efficient lights on the market?

Australian patent pending



bright

High-intensity single & multi-colour LEDs provide ample illumination for even the largest water features.



reliable

Advanced LED technology and IPX8 water ingress protection means ATOM-EM Series lights will work reliably year after year.



energy efficient

Superior LEDs and Spa Electrics' patented DUOSINK® and PULSEWAVE® technologies deliver maximum brightness with the lowest power consumption on the market today.



exquisite colour

In both single colour & multi-colour options. Multi-colour provides brilliant colours & seamless transitions between colours.



versatile

Wall and floor mounts are available to suit any underwater project.



Rainbow Pool Products

PO Box 2388, Mansfield Qld 4122

Telephone STD 61-7-3849 5385

Facsimile STD 61-7-3849 5384

Email: info@rainbowpoolproducts.com.au

Web: www.rainbowpoolproducts.com.au